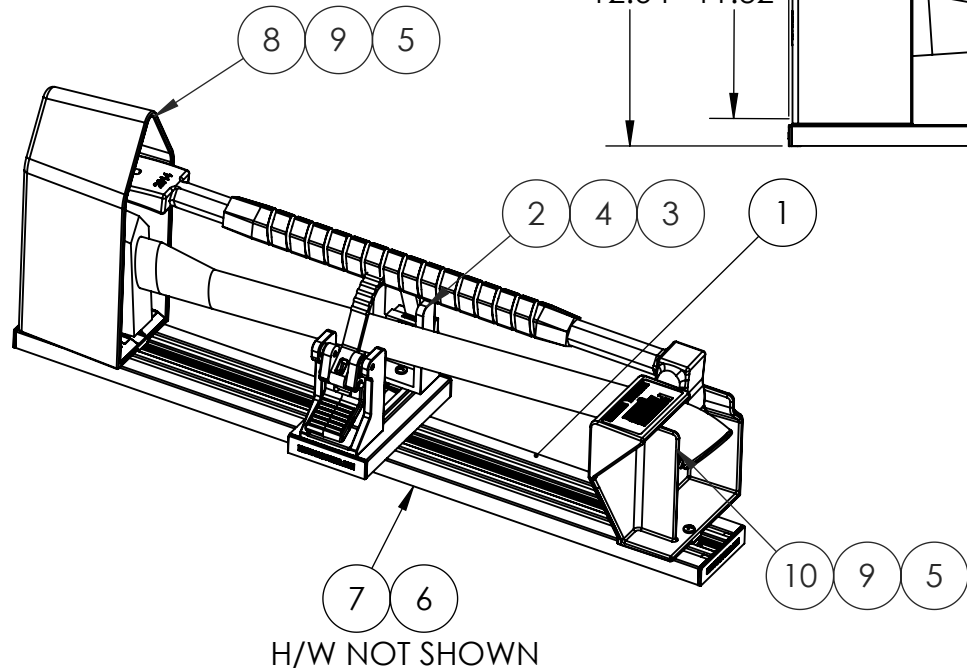
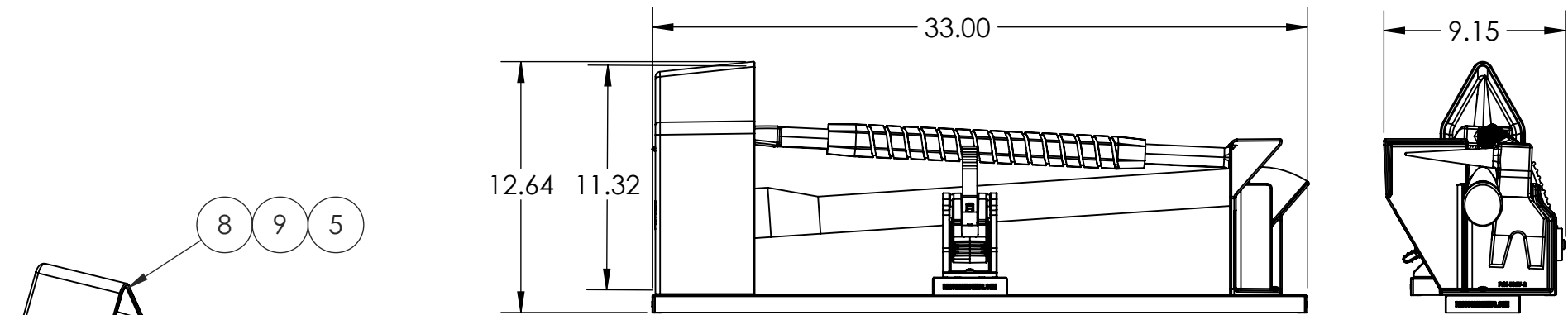


REV	DESCRIPTION	DATE	APPR
E	UPDATED LENGTH	2/25/2026	KAS



10	5027-2	IRONSLOK HANDLE END	1
9	2104	PAC CHANNEL NUT	4
8	5026-2	IRONSLOK BLADE END	1
7	2035	FASTENER PACK	1
6	7029	FASTENER KIT-ADJUSTAMOUNT PT	2
5	3017	14-20 X 1 PHIL PANHEAD	4
4	3002	THREADED PIN 1/4-20	2
3	2098	14-20 X 3/4 PHIL PANHEAD	2
2	K5003HD-901	FAST LOK IRONSLOK	1
1	7050S-32.75	MINI DUAL ASSEMBLY	1
ITEM NO.	PAC P/N	PART NAME	QTY

**NOTES:**

VERSIONS:  
P/N K5003HD -Y YELLOW STRAP  
P/N K5003HD-B BLACK STRAP  
P/N K5003HD-OR ORANGE STRAP

**P**ERFORMANCE  
**A**DVANTAGE  
**C**OMPANY



**TOLERANCES UNLESS OTHERWISE SPECIFIED**

.X= ± .03  
.XX= ± .010  
.XXX= ± .005  
.XXXX= ± 0.0005  
ANGLES ± 0.5 °  
FRACTIONAL ± 1/64

**THIRD ANGLE PROJECTION**



COLOR

	NAME	DATE
DRAWN BY	KAS	2/25/2026
APPR. BY		
MFG BY		
MFG. P/N		
ENG APPR.		
MATERIAL		
ALT. MATERIAL		
FINISH		

THE INFORMATION CONTAINED IN THIS DRAWING IS THE SOLE PROPERTY OF **PERFORMANCE ADVANTAGE CO.** ANY REPRODUCTION IN PART OR AS A WHOLE WITHOUT THE WRITTEN PERMISSION OF PERFORMANCE ADVANTAGE CO. IS PROHIBITED.

**TITLE:**

**IRONSLOK HD UNIVERSAL**

**PART NUMBER**

**K5003HD**

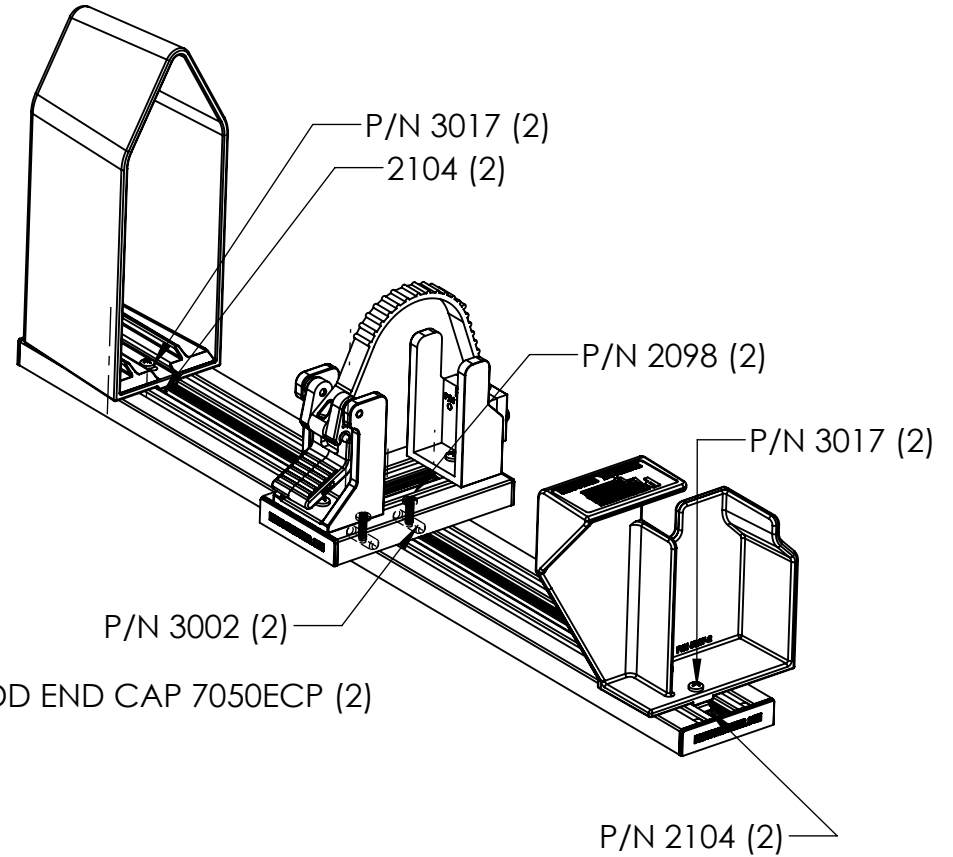
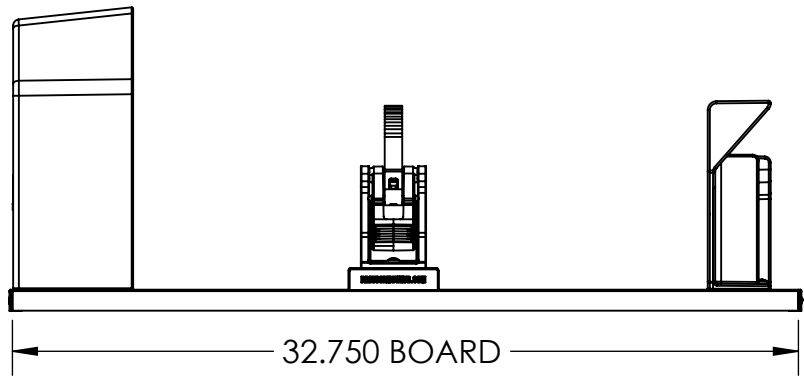
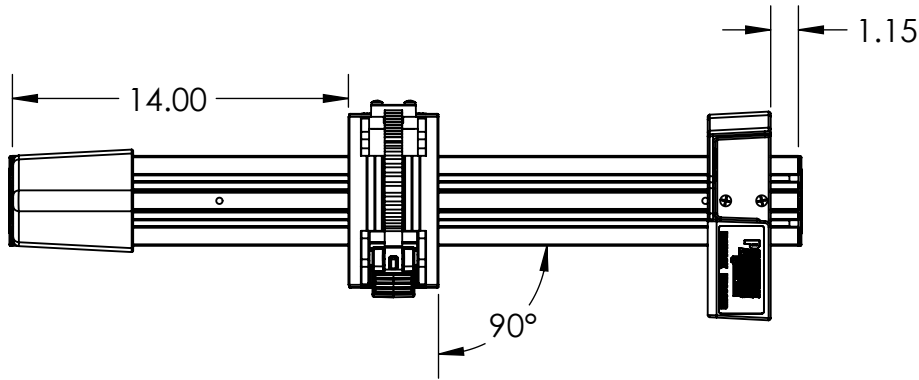
**REV**

**E**

**SCALE: 1:8**

**SHEET 1 OF 3**

REV	DESCRIPTION	DATE	APPR
E	UPDATED LENGTH	2/25/2026	



**NOTES:**

OPTIONS FOR STRAP COLOR

SET STRAP LENGTH TO \_\_\_\_\_

REMOVE ALL BURRS OR SHARP EDGES ON ALUMINUM

TIGHTEN ALL FASTENERS SECURELY

**P**ERFORMANCE  
**A**DVANTAGE  
**C**OMPANY



**TOLERANCES UNLESS OTHERWISE SPECIFIED**

.X = ± .03  
.XX = ± .010  
.XXX = ± .005  
.XXXX = ± 0.0005  
ANGLES ± 0.5 °  
FRACTIONAL ± 1/64

**THIRD ANGLE PROJECTION**



COLOR

	NAME	DATE
DRAWN BY	KAS	2/25/2026
APPR. BY		
MFG BY		
MFG. P/N		
ENG APPR.		
MATERIAL		
ALT. MATERIAL		
FINISH		

THE INFORMATION CONTAINED IN THIS DRAWING IS THE SOLE PROPERTY OF PERFORMANCE ADVANTAGE CO. ANY REPRODUCTION IN PART OR AS A WHOLE WITHOUT THE WRITTEN PERMISSION OF PERFORMANCE ADVANTAGE CO. IS PROHIBITED.

**TITLE:**

**IRONSLOK HD UNIVERSAL  
PRE- ASSEMBLY INSTRUCTIONS**

**PART NUMBER**

**K5003HD**

**REV**

**E**

**SCALE: 1:8**

**SHEET 2 OF 3**

