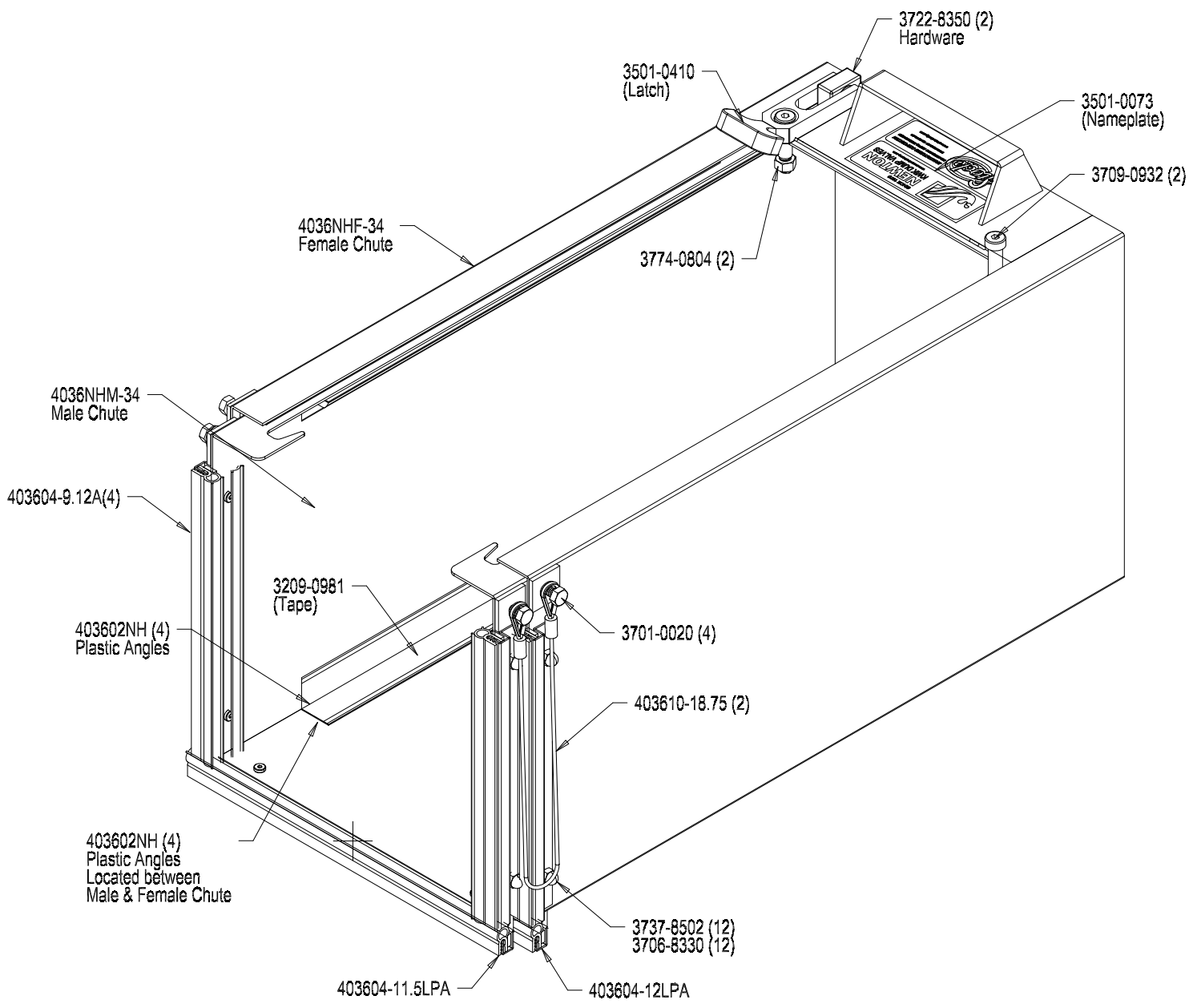


4 3 2 1



REV	REVISION HISTORY	DATE

UNLESS OTHERWISE SPECIFIED  
DIMENSIONS ARE IN INCHES.  
TOLERANCES ARE:  
FRACTIONS: 1/16" DECIMALS:  
X ± .000  
XX ± .000  
XXX ± .015  
ANGLES: ± 1°  
DO NOT SCALE DRAWING

PROJECTION:  
FIRST ANGLE

DESC: 4036 Telescoping Chute  
DWG #: 4036NH-34  
PROJECT: Newton Kwik-Dump  
MATERIAL: Stainless Steel  
DRAWN BY: R/S DATE: 10/21/2021



A.H. Stock Mfg. Corp  
8402 Center Road  
Newton WI, 53063  
Phone: (920)726-4211  
Web: www.ahstockmfg.com



PROPRIETARY AND CONFIDENTIAL  
THE INFORMATION CONTAINED IN THIS DRAWING IS THE SOLE PROPERTY  
OF A.H. STOCK MANUFACTURING CORPORATION. ANY REPRODUCTION IN  
PART OR AS A WHOLE WITHOUT THE WRITTEN PERMISSION OF A.H. STOCK  
MANUFACTURING CORPORATION IS STRICTLY PROHIBITED.

4 3 2 1