



PRODUCT DATA SHEET

P/N: 1042- ADAPTER LOKS



PAC Adapter Loks keep your adapters organized and ready to use. Your adapters easily slide on and are retained by the locking feature. Simply depress the highly visible lock to remove the adapters!

FEATURES

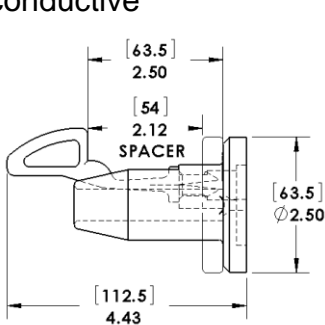
- Molded from high quality materials
- Accepts both double male and female adapters
- Includes Spacer Ring to allow for variations in adapter lengths
- Weather, UV resistant
- Impact resistant
- Non-conductive

TYPICAL SPECIFICATION

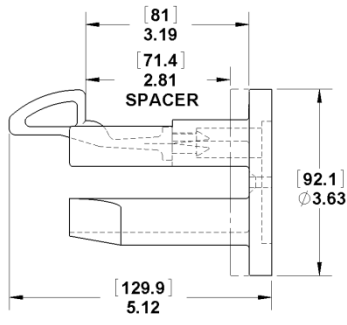
Mounting Bracket(s) shall be PAC P/N(S) 1042-1,-2,-D.

Brackets shall be two piece construction; made from tough, corrosion free material. Hardware shall be stainless steel.

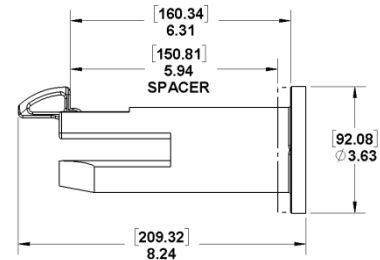
Firefighters shall be protected from conductivity.



1-1/2" P/N 1042-1



2-1/2" P/N 1042-2



DBL 2-1/2" P/N 1042-D

SPECIFICATIONS

P/N	WT.	MAX LOAD	GRIP RANGE	HANGER RANGE	FLAME TOXICITY CHEMICAL
1042-1	.3lbs	N/A	N/A	N/A	N/A
1042-2	.5lbs	N/A	N/A	N/A	N/A
1042-D	.6lbs	N/A	N/A	N/A	N/A

Performance Advantage Company

Lancaster, New York

www.pactoolmounts.com

888-514-0083

REFERENCE	QTY	REMARKS	PROJECT
			LOCATION
			BUYER
			DEALER
			BUILDER
			SUBMITTED BY:
			DATE:



1042-1



1042-2



1042-D

PAC Adapter Loks keep your adapters organized and ready to use. Your adapters easily slide on and are retained by the locking feature. Simply depress the highly visible lock to remove the adapters!

- Molded from high quality materials
- Accepts both double male and female adapters
- Includes Spacer Ring to allow for variations in adapter lengths
- Weather, UV resistant
- Impact resistant
- Non-conductive

